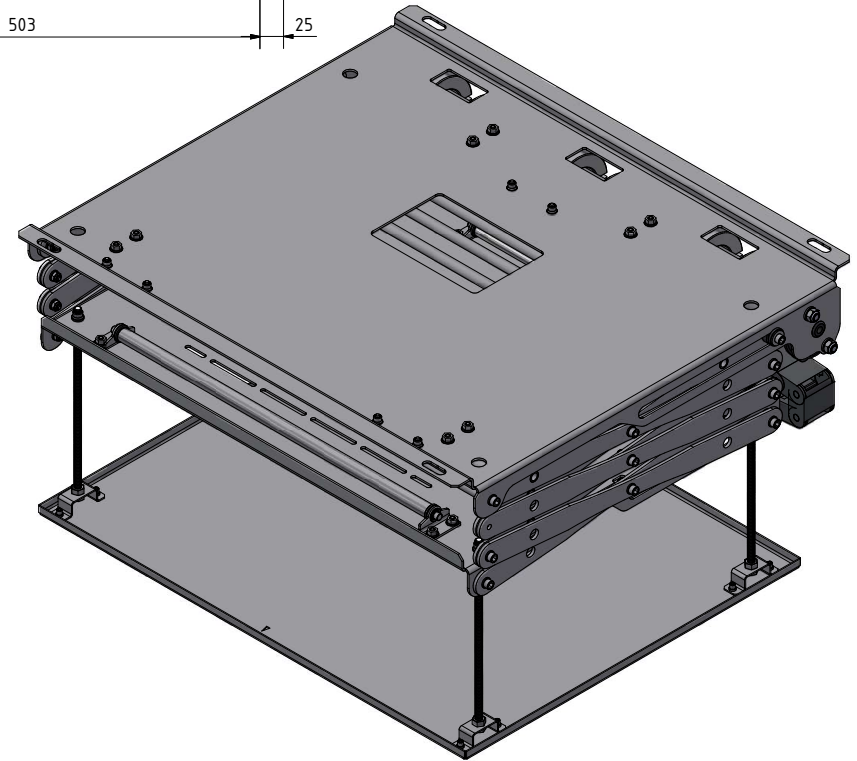
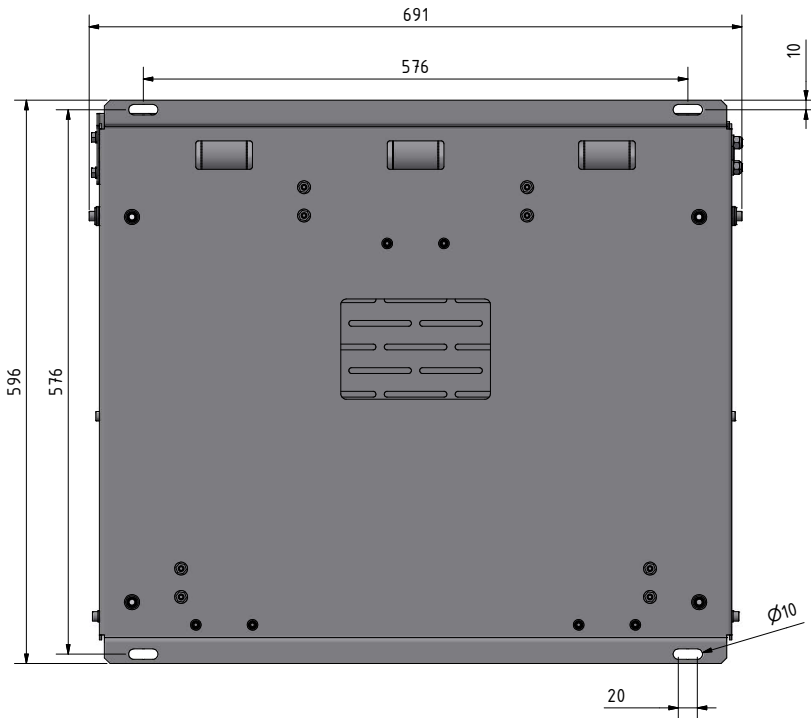
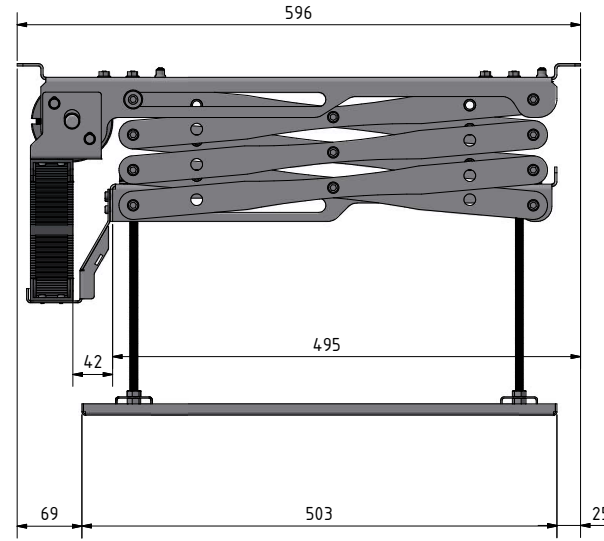
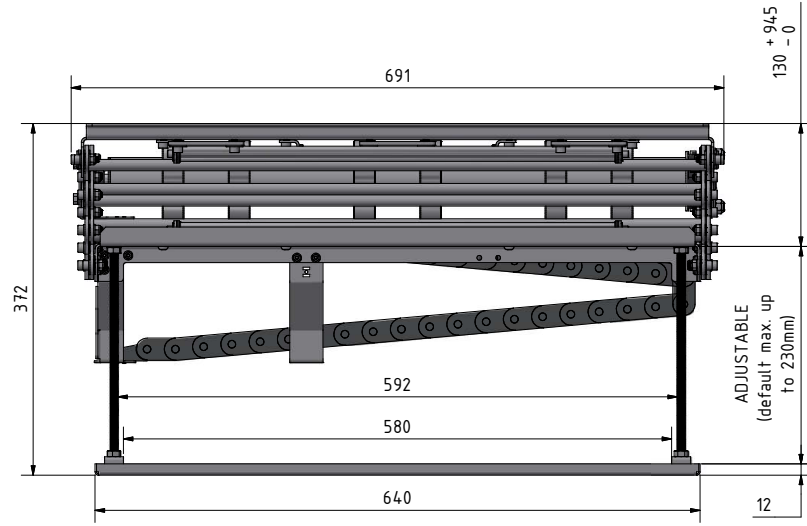


# PLCV5.3HD +2XD-CLOSED



CATEGORY		DRAWING TYPE	
PROJECTOR CEILING LIFT		DRAFT	FINAL
MODEL	PLCV5.3HD +2XD		x
FEATURE	NET VERTICAL DROP 945mm, MAXIMUM LOAD CAPACITY 30kg (±projector weight + ceiling cover weight)	DIMENSIONS TOLERANCE	
COLOUR	POWDER COATING RAL9005(BLACK BUFF)	+/-0,5%	
DRAWING No	V03-260126-DI	APPROVED BY:	
ALL RIGHTS STRICTLY RESERVED. REPRODUCTION OR ISSUE TO THIRD PARTIES IN ANY FORM WHATSOEVER, IS NOT PERMITTED WITHOUT WRITTEN AUTHORITY FROM UNITECH SYSTEMS.			

