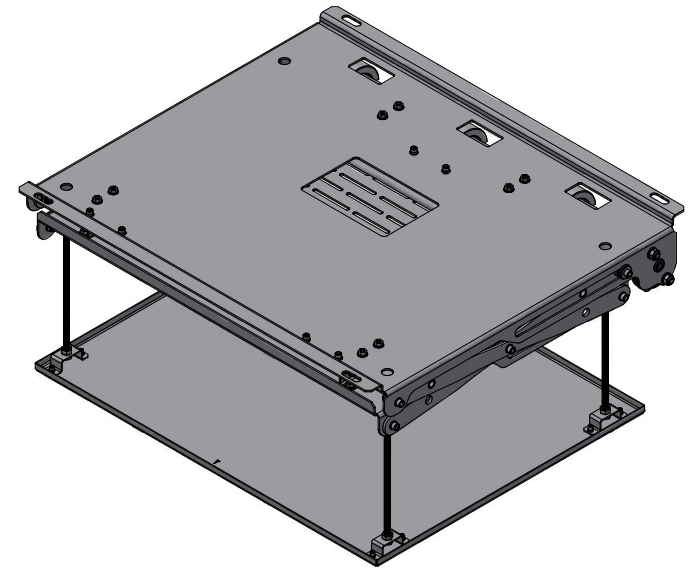
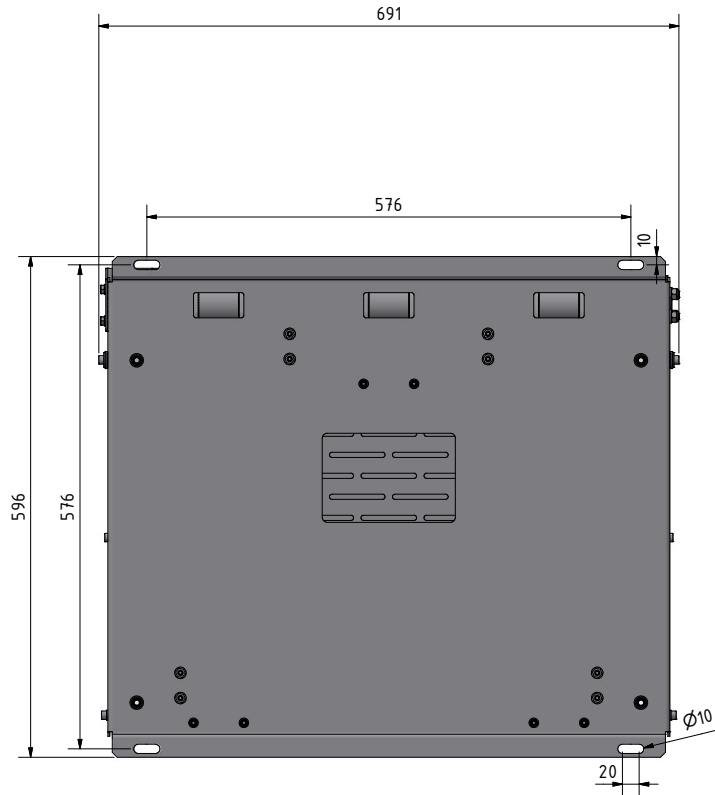
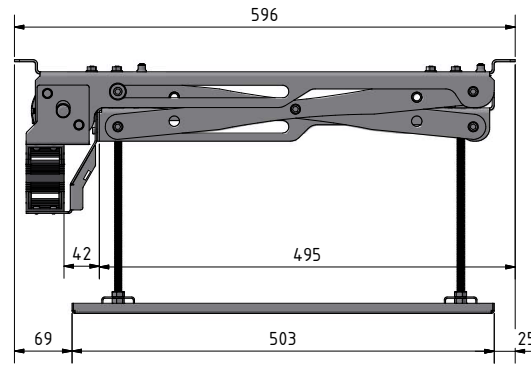
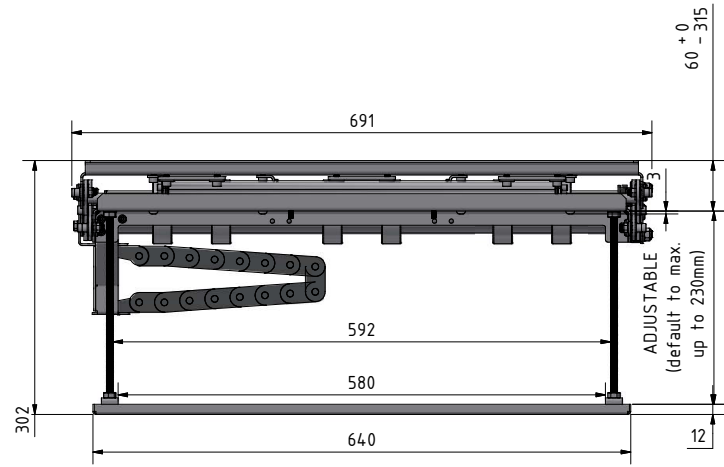


# PLCV5.3HD-CLOSED



CATEGORY	PROJECTOR CEILING LIFT	DRAWING TYPE	
MODEL	PLCV5.3HD	DRAFT	FINAL
FEATURE	NET VERTICAL DROP 315mm, MAXIMUM LOAD CAPACITY 35kg (±projector weight + ceiling cover weight)	x	
COLOUR	POWDER COATING RAL9005(BLACK BUFF)	DIMENSIONS TOLERANCE	
DRAWING No	V03-270126-D1	+/-0,5%	
APPROVED BY:			
ALL RIGHTS STRICTLY RESERVED. REPRODUCTION OR ISSUE TO THIRD PARTIES IN ANY FORM WHATSOEVER, IS NOT PERMITTED WITHOUT WRITTEN AUTHORITY FROM UNITECH SYSTEMS.			

