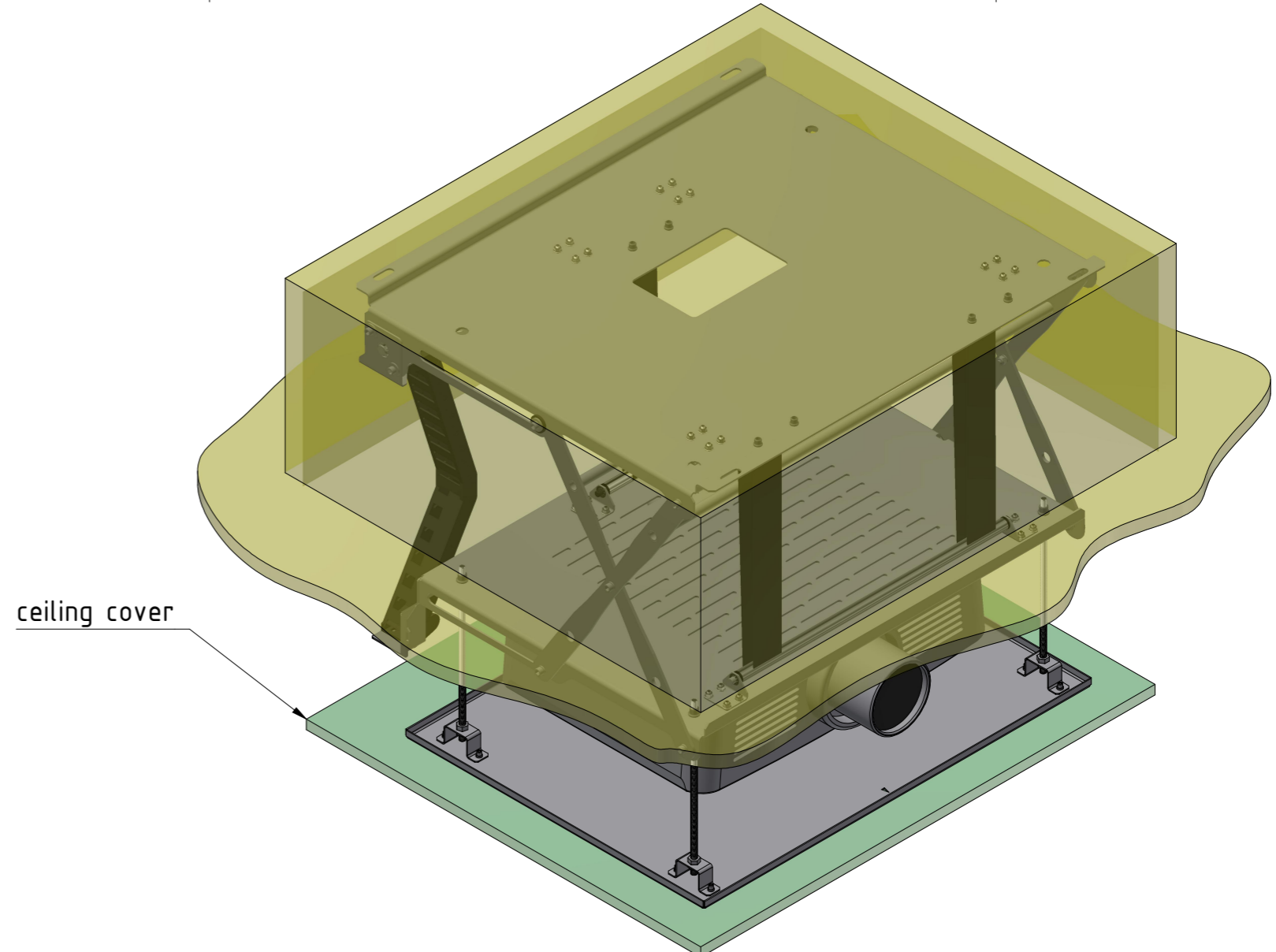
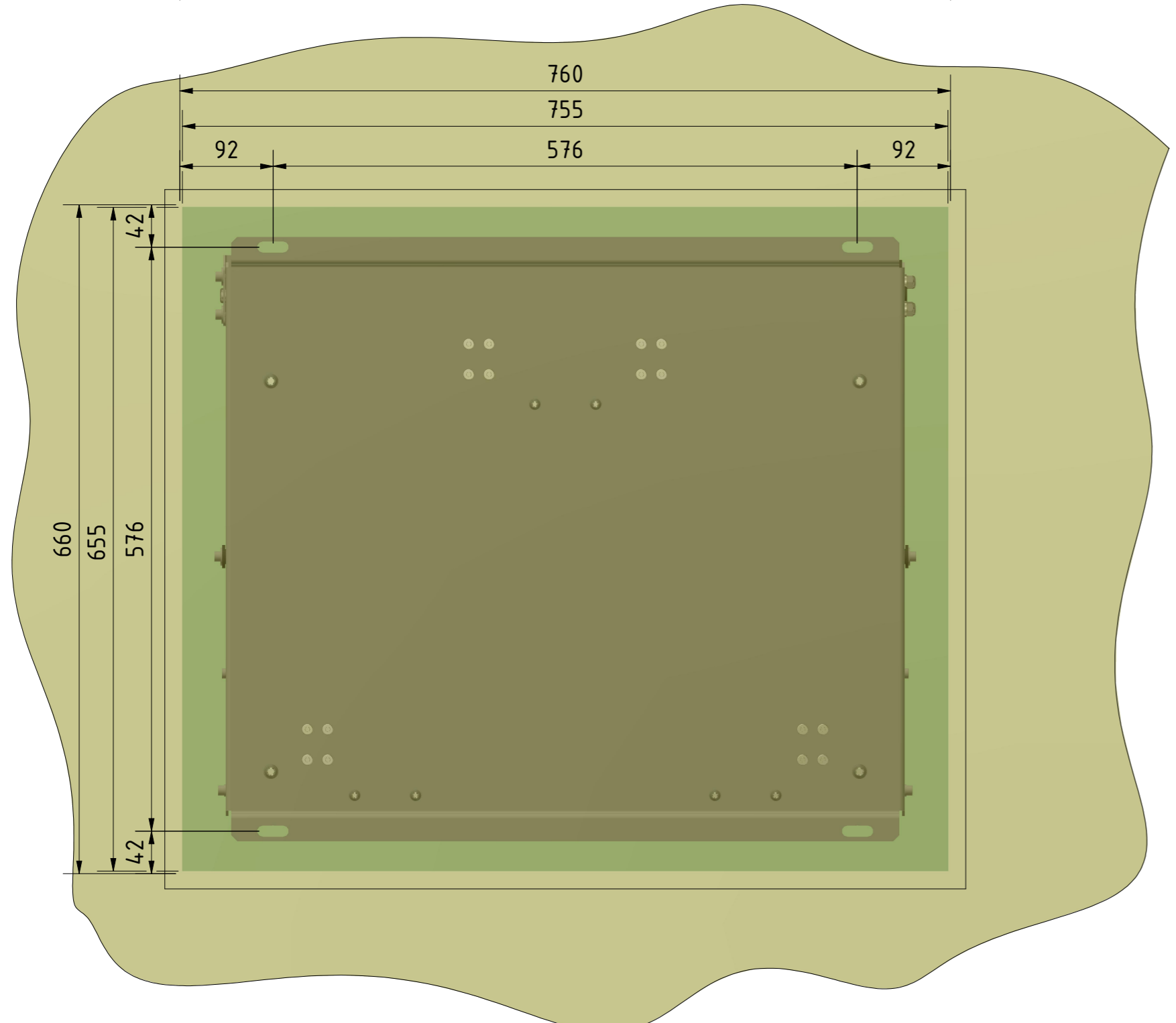
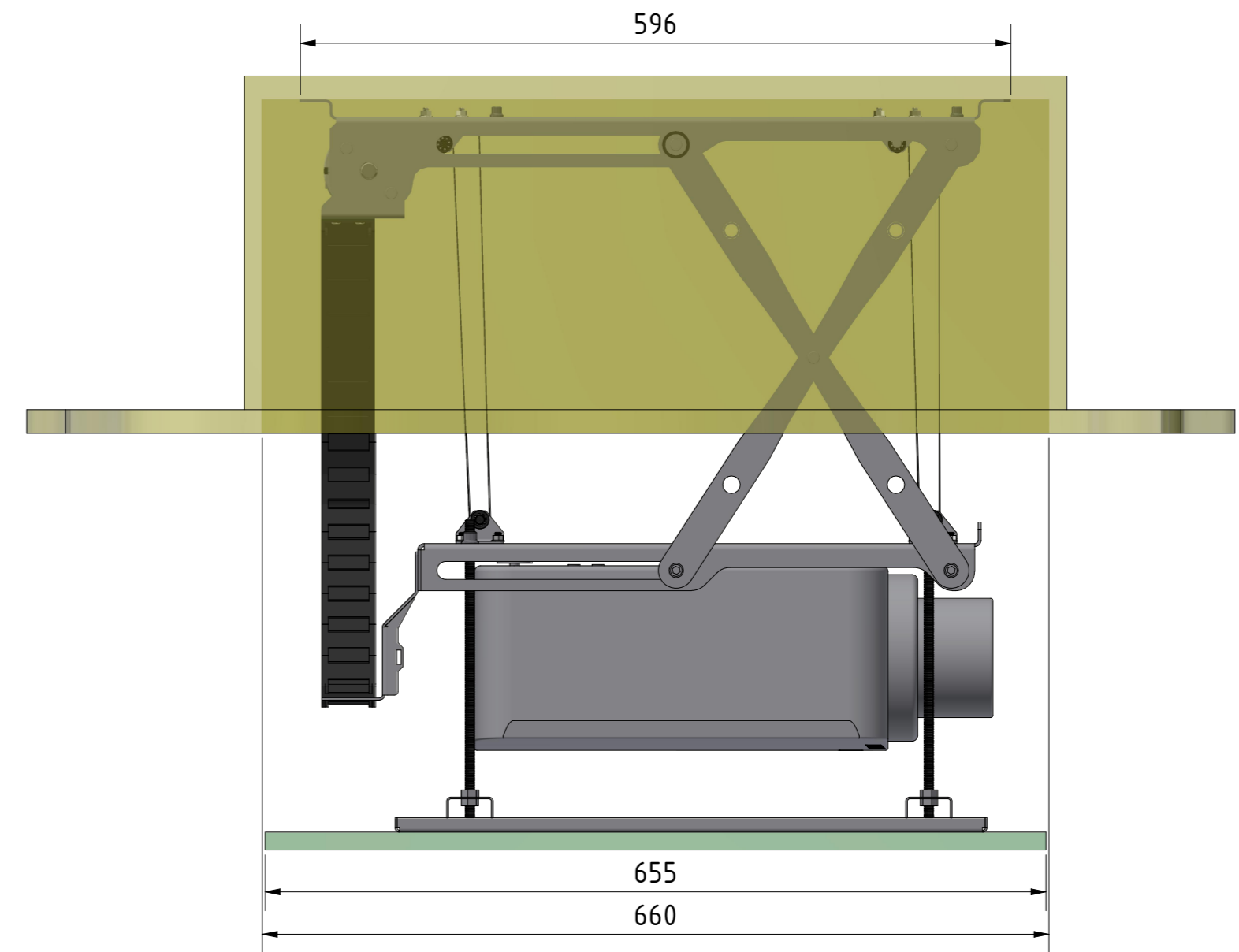
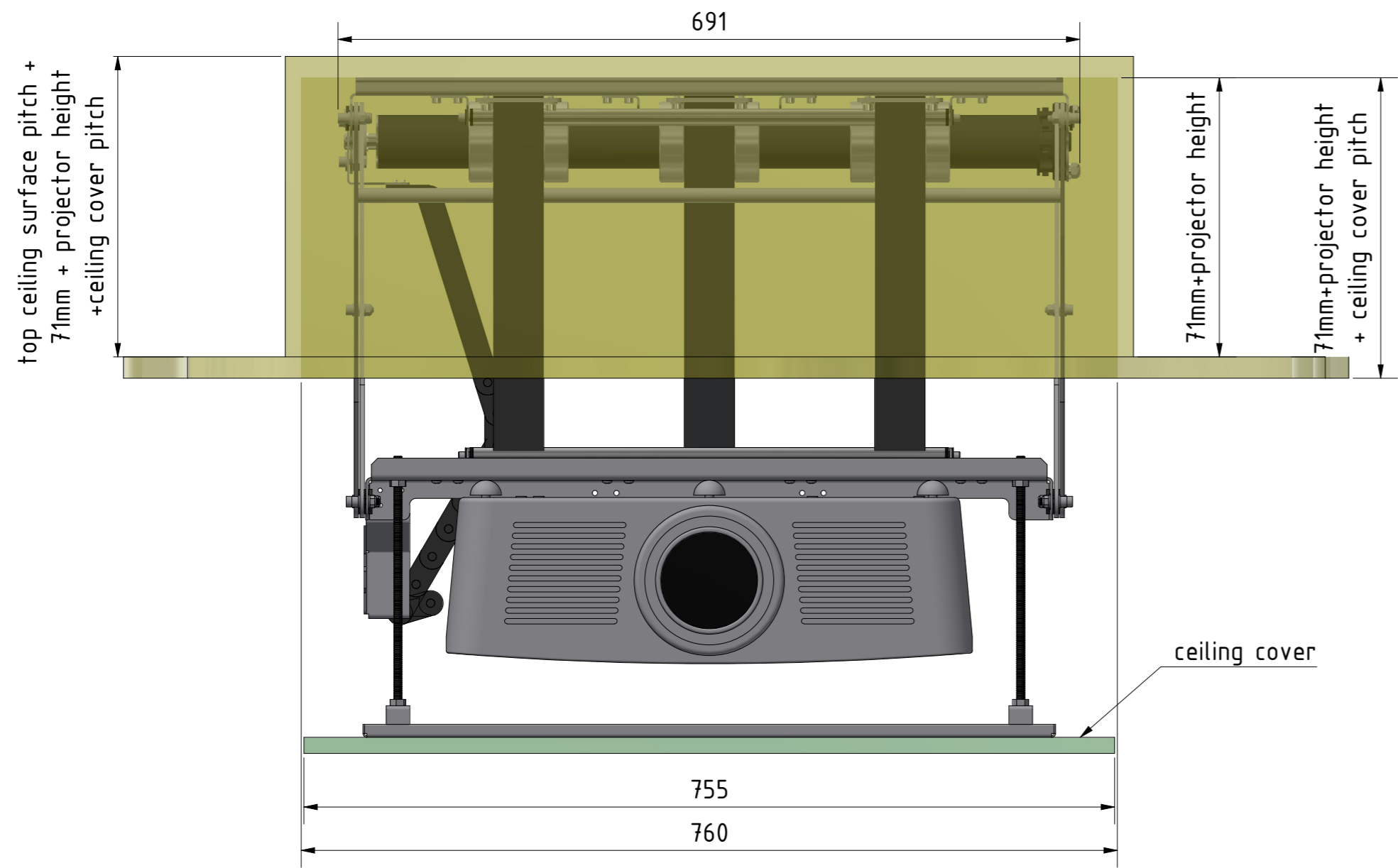


PLCV5.3

with indicative structure for ceiling box and ceiling cover



CATEGORY	PROJECTOR CEILING LIFTS	DRAWING TYPE	
MODEL	PLCV5.3 with indicative ceiling box structure	DRAFT	FINAL
FEATURES	NET DROP STROKE 300mm, MAXIMUM LOAD CAPACITY 20kg (> projector + ceiling cover)	x	
COLOUR	BLACK RAL9005	DIMENSIONS TOLERANCE	
DRAWING No	13062024-CA	+/-0,5%	
APPROVED BY:			



ALL RIGHTS STRICTLY RESERVED. REPRODUCTION OR ISSUE TO THIRD PARTIES IN ANY FORM WHATSOEVER, IS NOT PERMITTED WITHOUT WRITTEN AUTHORITY FROM UNITECH SYSTEMS.