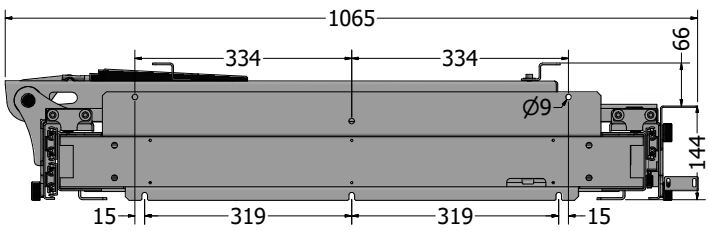
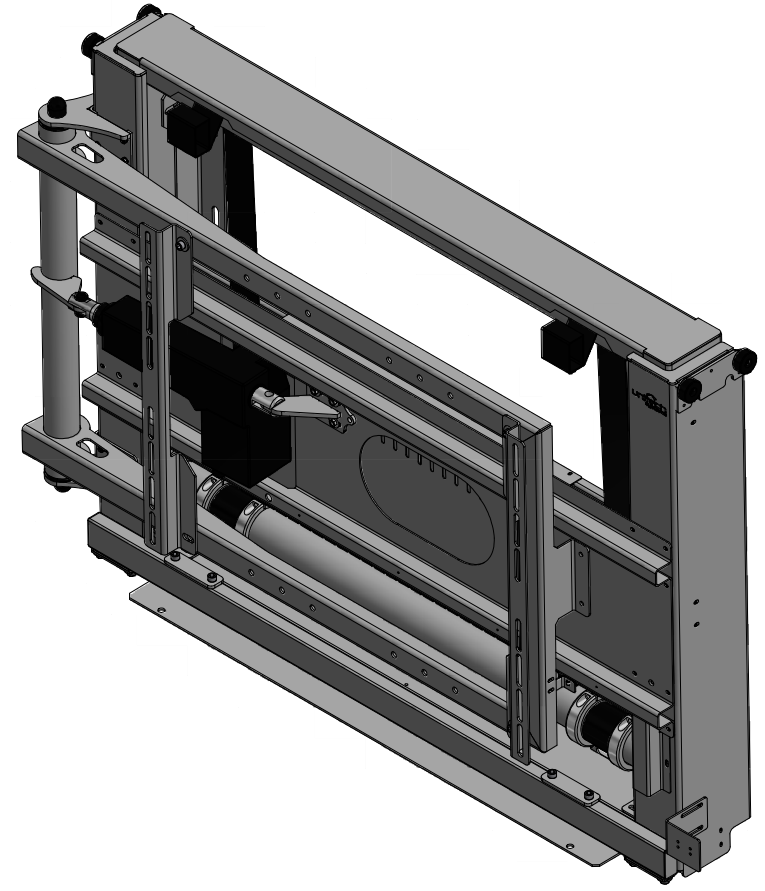
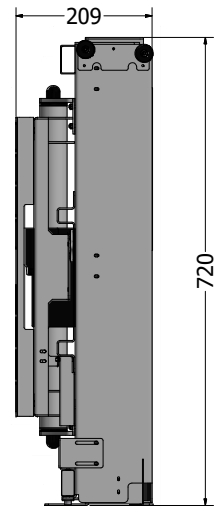
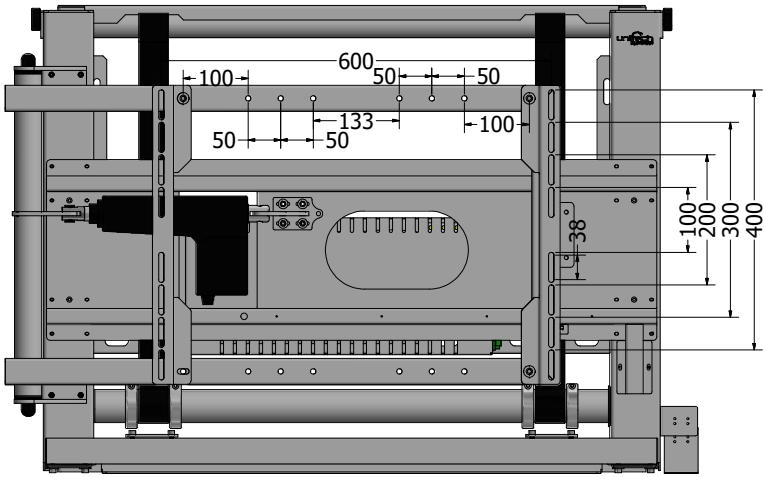
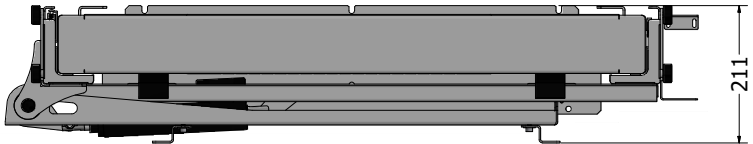


8 7 6 5 4 3 2 1



| | | | |
|------------|---|--------------|------------|
| CATEGORY | FLAT PANEL TABLE/ FURNITURE LIFT | DRAWING TYPE | |
| MODEL | FPLTSRV5-700 | DRAFT | FINAL |
| FEATURE | LEFT SIDE AXIS ROTATION UP TO 90degrees, VERTICAL ELEVATION UP TO 650mm | x | |
| COLOUR | POWDER COATING RAL 9005 (BLACK) | | |
| UNITS | ALL UNITS IS mm, Tolerance 0,5% | REVISION | DATE |
| DRAWING No | v1.1. 24022016-SK | 1 | 30/12/2016 |
| | | 2 | 30/12/2016 |
| | | 3 | 22/02/2016 |



ALL RIGHTS STRICTLY RESERVED. REPRODUCTION OR ISSUE TO THIRD PARTIES IN ANY FORM WHATSOEVER, IS NOT PERMITTED WITHOUT WRITTEN AUTHORITY FROM UNITECH SYSTEMS.

8 7 6 5 4 3 2 1