

FPLTV2 30-40

Flat Panel Table Lift

Swivel:

Max. Screen Dimensions:

Max. Load:

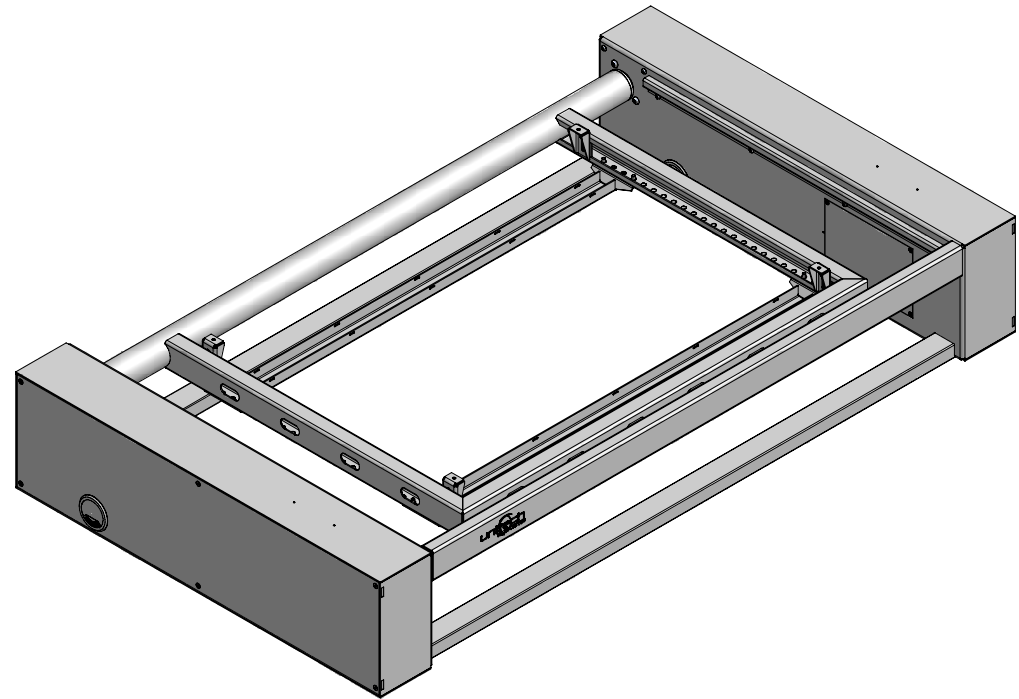
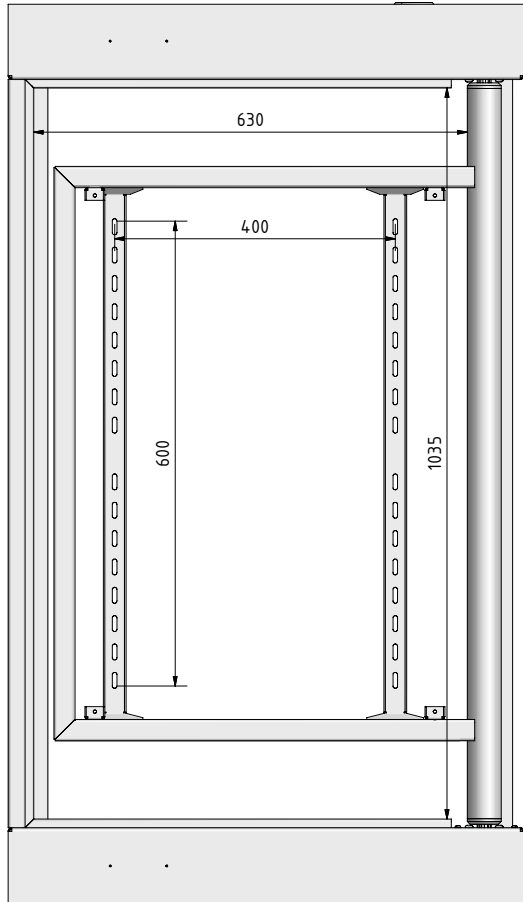
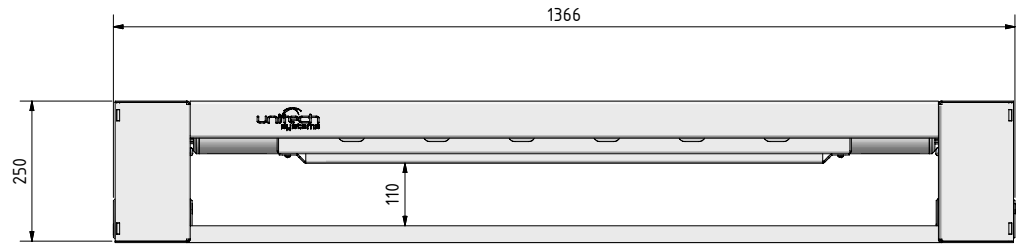
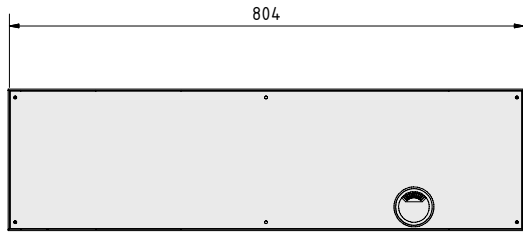
Color:

up to 100°

1025x620x100mm (WxHxD)

35kg

Black Ral 9005



CATEGORY	FLAT PANEL TABLE LIFT	DRAWING TYPE	
MODEL	FPLTV2 30-40	DRAFT	FINAL
FEATURE A	SWIVEL UP TO 100°	X	
FEATURE B		REVERSION	DATE
DRAWING No	V1.1.18112014-CA		

