

8

7

6

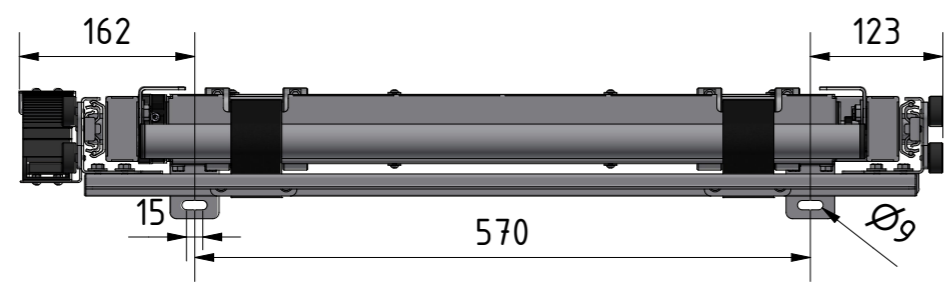
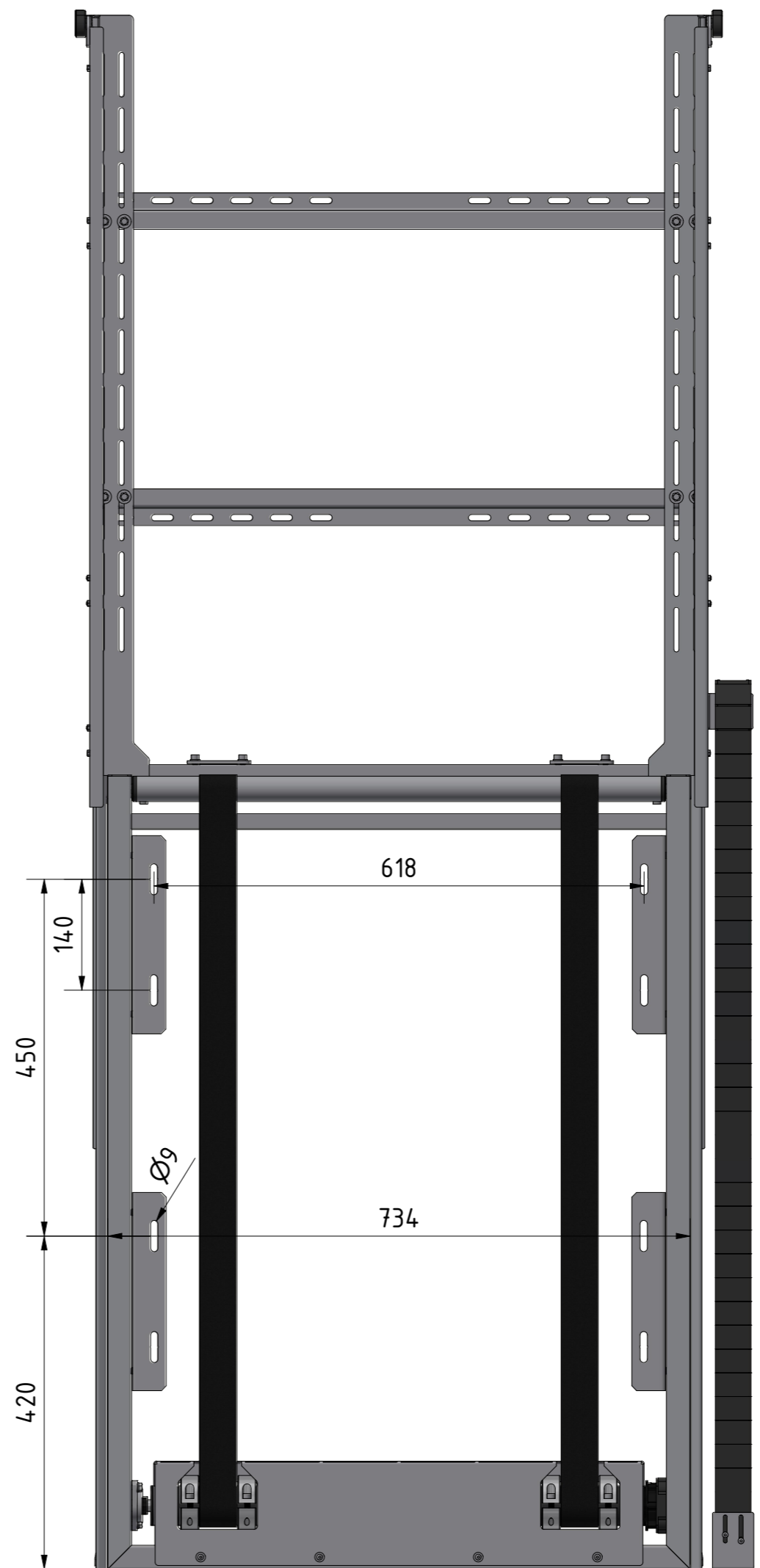
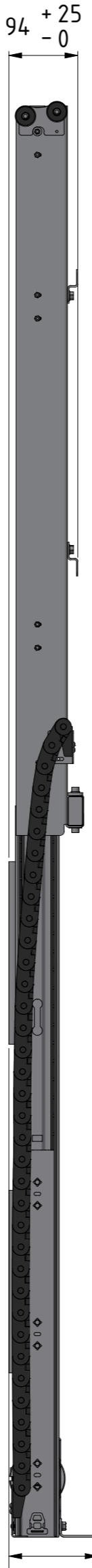
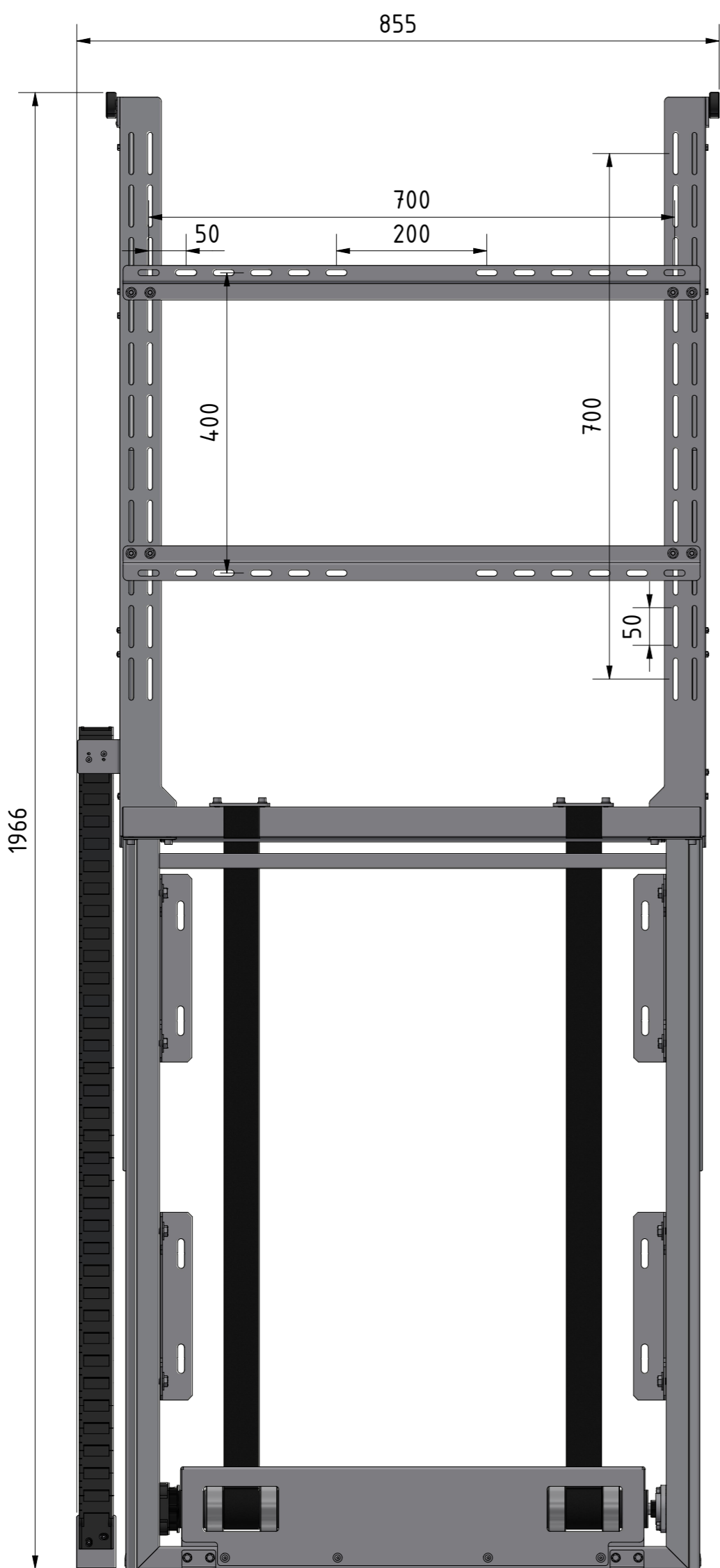
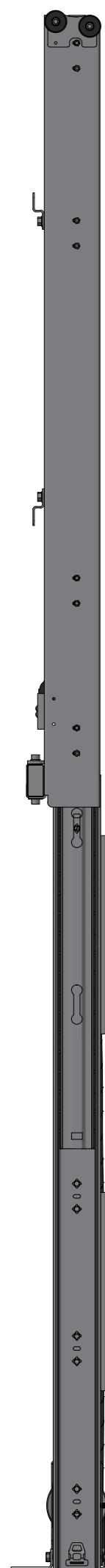
5

4

3

2

1



|            |   |              |                      |       |
|------------|---|--------------|----------------------|-------|
| CATEGORY   | FLAT PANEL TABLE/FLOOR LIFT   |              | DRAWING TYPE         |       |
| MODEL      | FPLTSV2-1000  |              | DRAFT                | FINAL |
| FEATURE    | TOTAL NET ELEVATION LENGTH 960mm (>TV height + furniture cover pitch), MAXIMUM LOAD CAPACITY 45kg (>TV+furniture cover) |              | x                    |       |
| COLOUR     | BLACK RAL 9005  |              | DIMENSIONS TOLERANCE |       |
| DRAWING No | 21052024-CA   | APPROVED BY: | +/-0,5%              |       |



ALL RIGHTS STRICTLY RESERVED. REPRODUCTION OR ISSUE TO THIRD PARTIES IN ANY FORM WHATEVER, IS NOT PERMITTED WITHOUT WRITTEN AUTHORITY FROM UNITECH SYSTEMS.

8

7

6

5

4

3

2

1