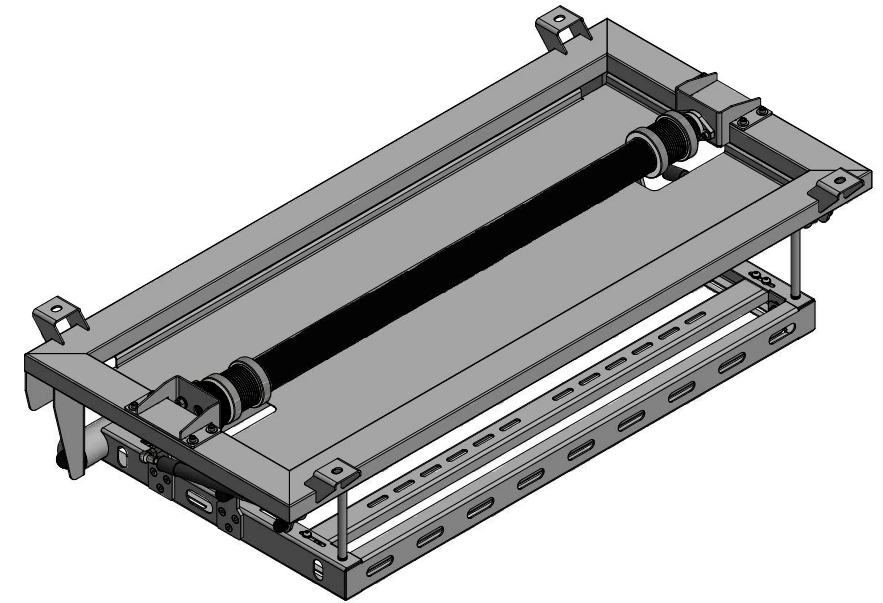
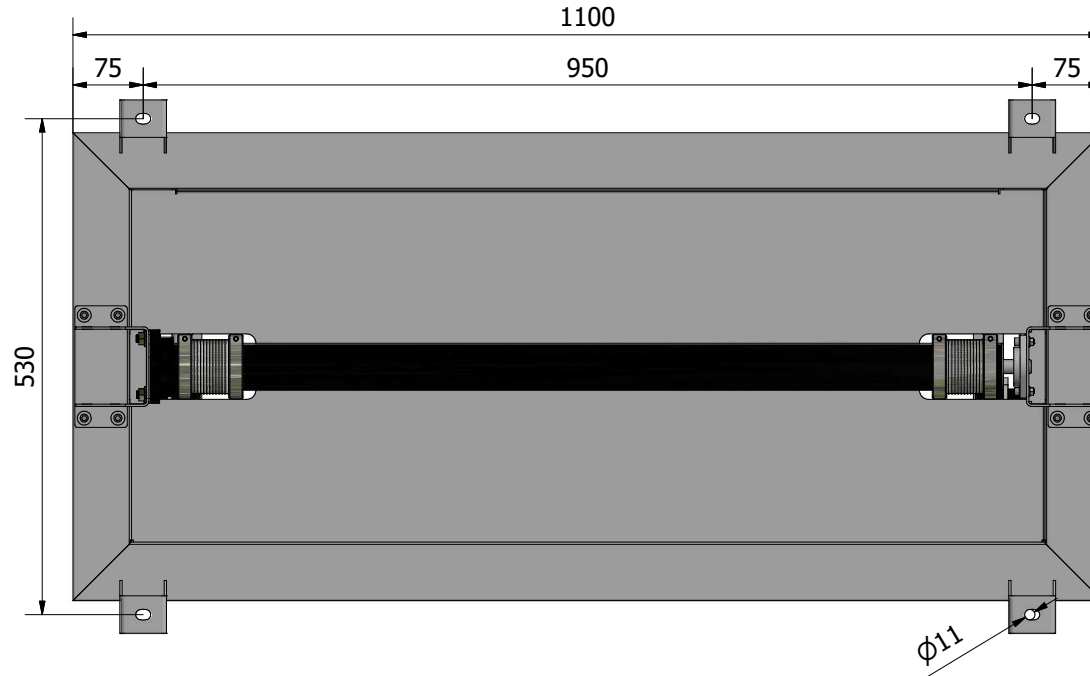
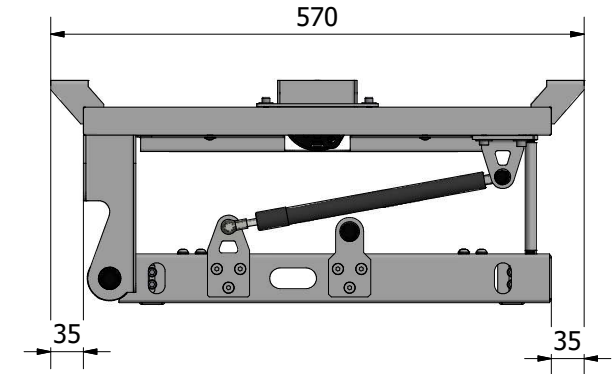
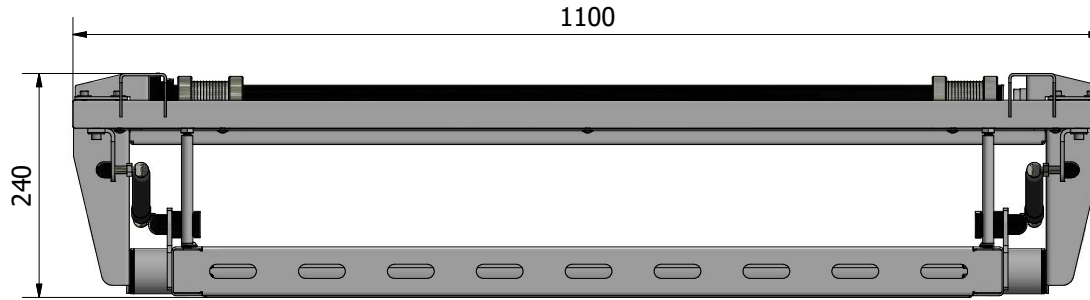


# FPLCV4-32



CATEGORY	FLAT PANEL CEILING LIFT	DRAWING TYPE	
MODEL	FPLCV4-32	DRAFT	FINAL
FEATURE	OPENING ANGLE 110degrees, MAX. LOAD 35kg	X	
COLOUR	POWDER COATING RAL9005 (BLACK BUFF) or RAL9016 (WHITE GLOSS)	REVISION	DATE
DRAWING No	V1.1.16042021-EV	NO	
APPROVED BY:			



ALL RIGHTS STRICTLY RESERVED. REPRODUCTION OR ISSUE TO THIRD PARTIES IN ANY FORM WHATSOEVER, IS NOT PERMITTED WITHOUT WRITTEN AUTHORITY FROM UNITECH SYSTEMS.