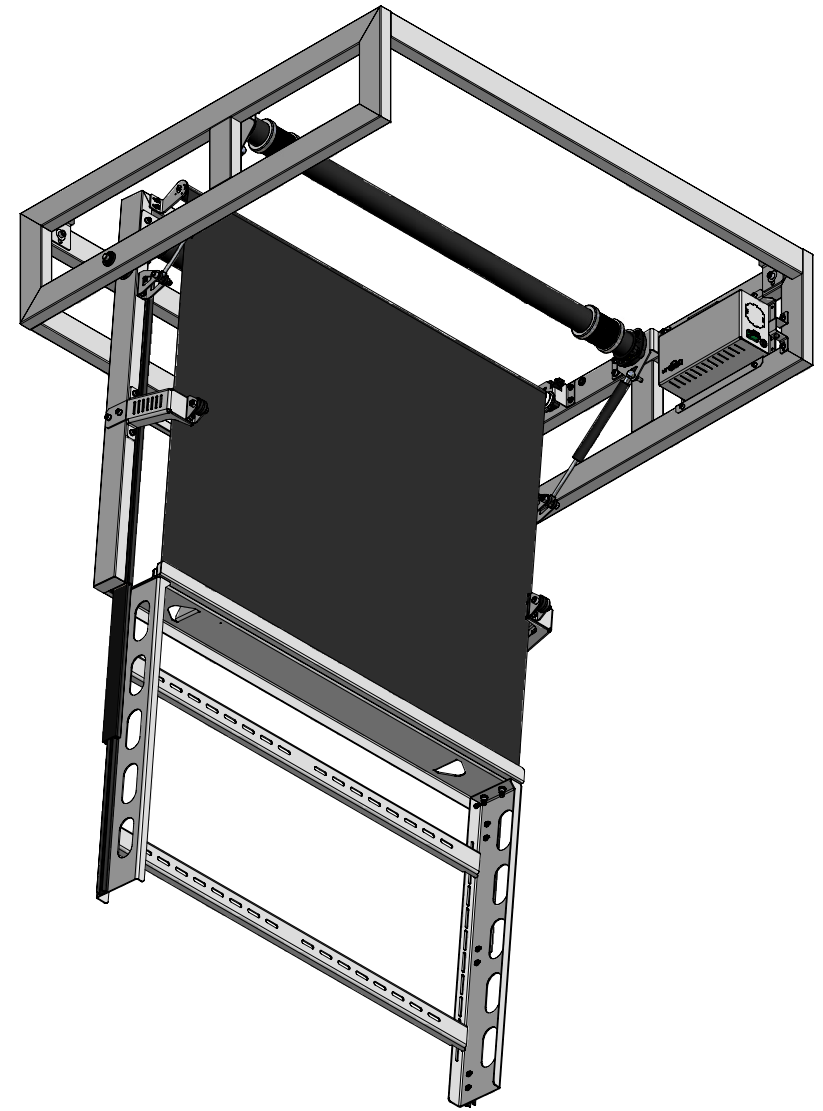
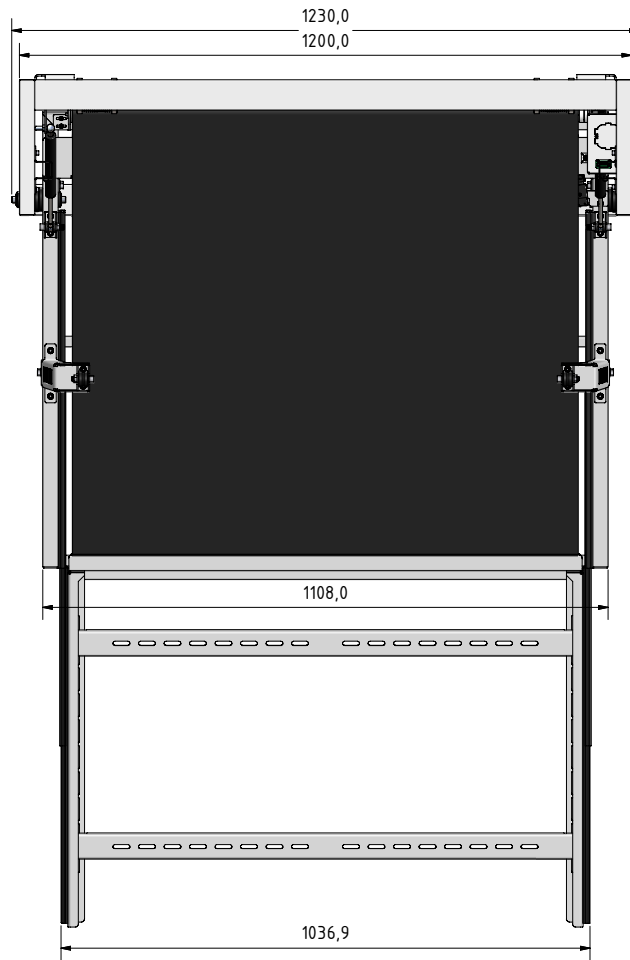
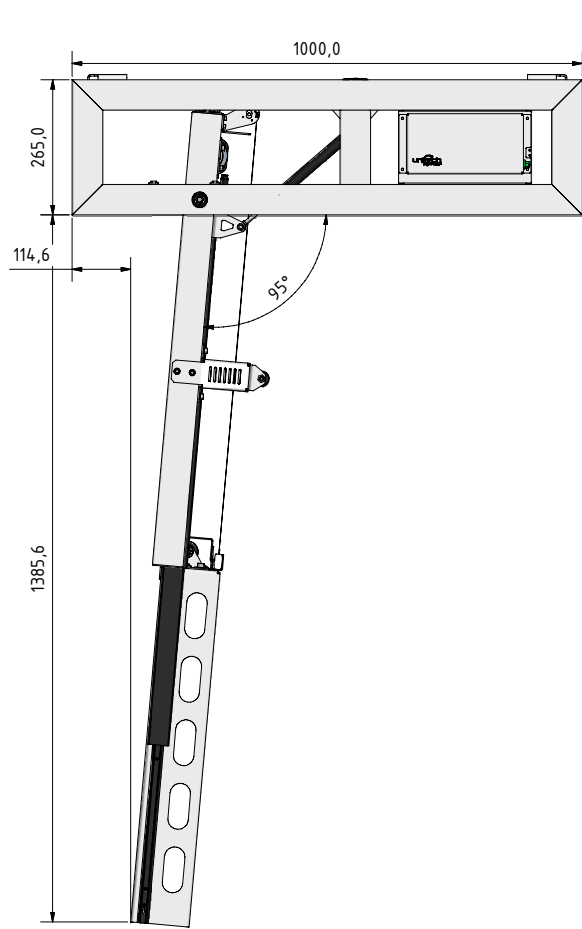


FPLCV3-700U (Open position)



CATEGORY	FLAT PANEL LIFT	DRAWING TYPE	
MODEL	FPLCV3-700U	DRAFT	FINAL
FEATURE	SWIVEL UP TO 95°, DROP DOWN LENGTH UP TO 700mm		x
COLOUR	POWDER COATING RAL9005 (BLACK BUFF)	REVERSION	DATE
DRAWING No	V1.1.09112016-SK	NO	



ALL RIGHTS STRICTLY RESERVED. REPRODUCTION OR ISSUE TO THIRD PARTIES IN ANY FORM WHATSOEVER, IS NOT PERMITTED WITHOUT WRITTEN AUTHORITY FROM UNITECH SYSTEMS.