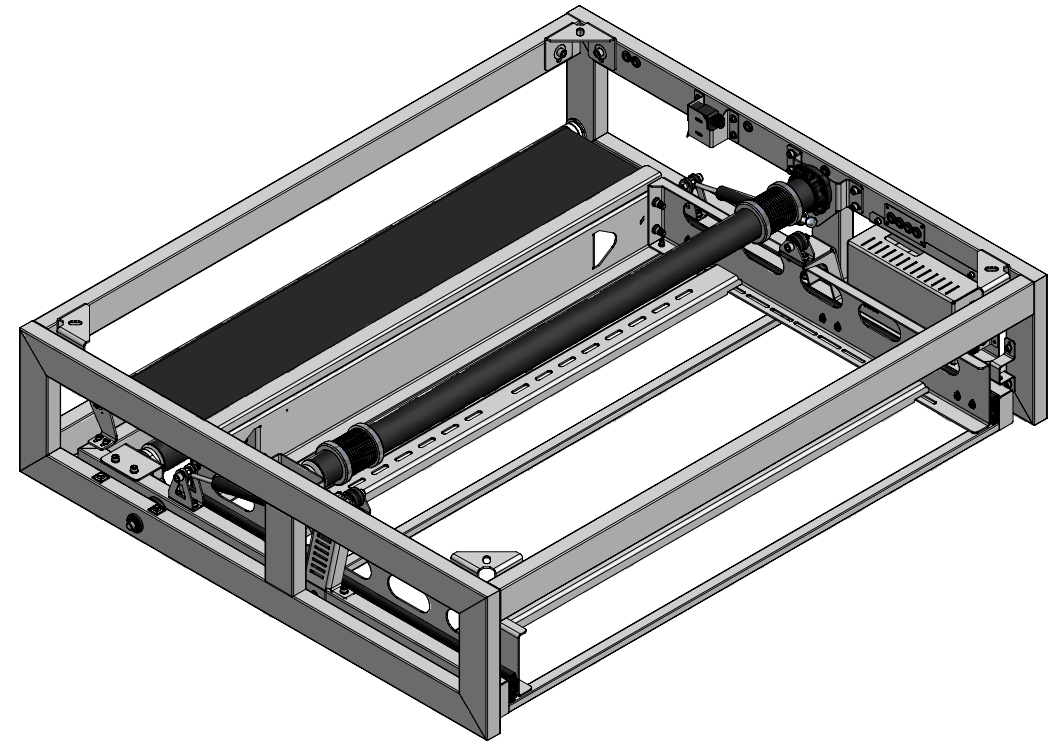
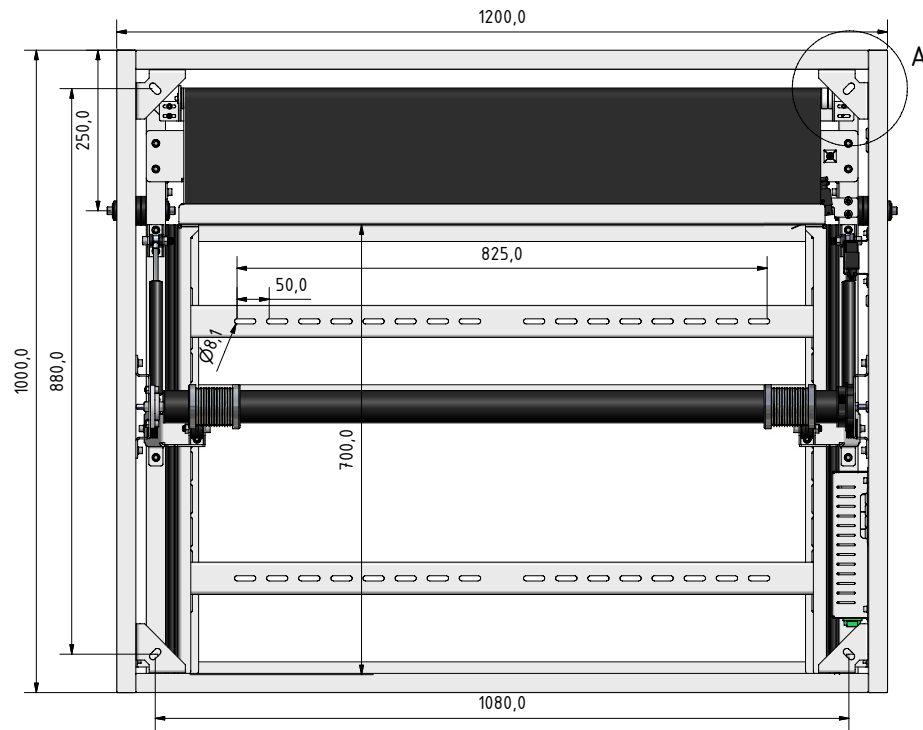
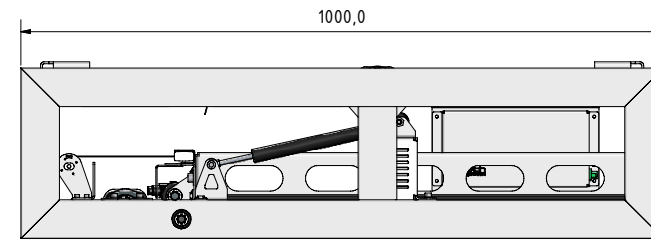
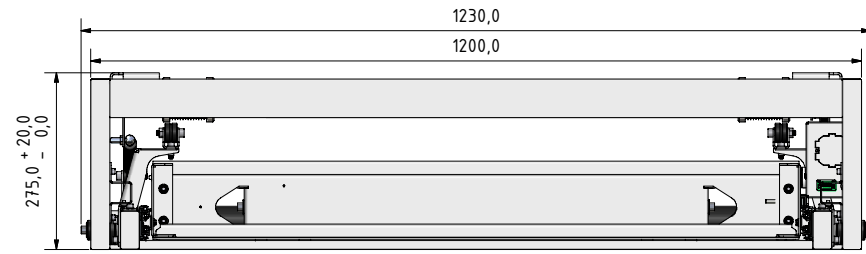
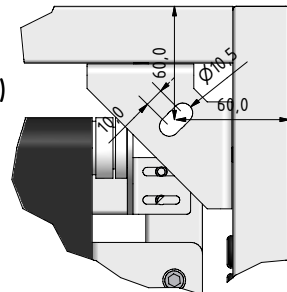


FPLCV3-700U (Closed position)



A (1:2)



CATEGORY	FLAT PANEL LIFT	DRAWING TYPE	
MODEL	FPLCV3-700U	DRAFT	FINAL
FEATURE	SWIVEL UP TO 95°, DOWN LENGTH UP TO 700mm		X
COLOUR	POWDER COATING RAL9005 (BLACK BUFF)	REVERSION	DATE
DRAWING No	V1.1.09112016-SK	NO	

