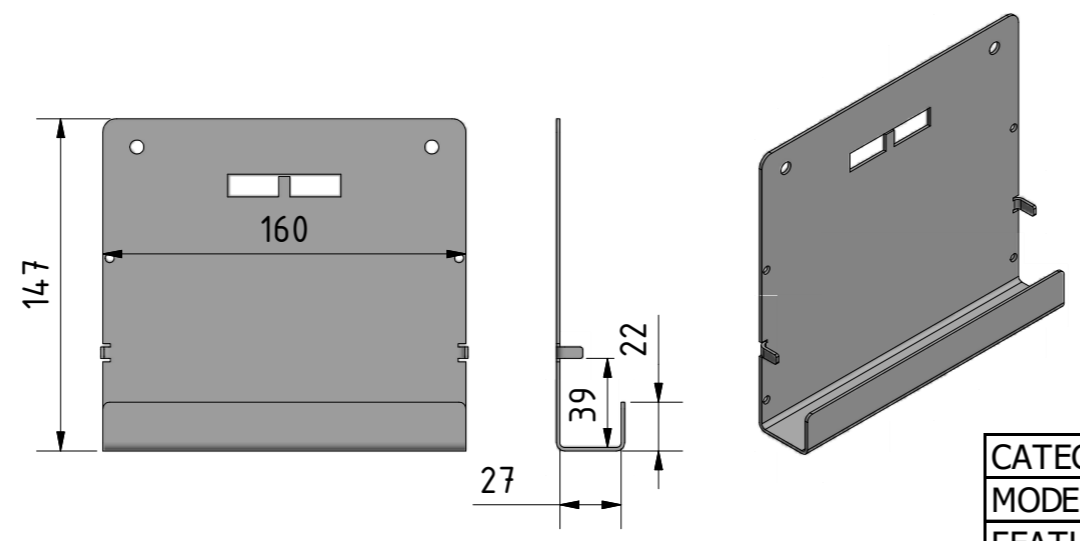


Application analysis with FPFS V29D

- * Flat panel low height floor stand, suitable for flat panels up to 65"
- * Vesa mounting compatible: 200x200mm, 400x400mm & 600x400mm
- * Inclined by 10degrees flat panel position in default status
- * Additional flat panel inclination possibility by +42degrees
- * Invisible cable routing inside column
- * Maximum load capacity 60kg.
- * Adjustable flat panel position by height, using the 5 steps of 25mm height adjustment provided by the vertical brackets, so that each TV size can be installed in the preferred position. Total available position height adjustment +125mm from bottom limit.

Optional:

- * Rear side player or receiver shelf (depicted above)
- * Back cover: Its application prevents extra inclination ability (depicted herein)
- * Top camera mount



CATEGORY	FLAT PANEL FLOOR STAND	DRAWING TYPE	
MODEL	FPFS V29D	DRAFT	FINAL
FEATURE A	FIXED INCLINED POSITION AT 10degrees		X
FEATURE B	ADDITIONAL INCLINATION BY +42degrees	REVERSION	DATE
DRAWING No	V1.1.15072020_VK	YES	23/11/2016-CA



ALL RIGHTS STRICTLY RESERVED. REPRODUCTION OR ISSUE TO THIRD PARTIES IN ANY FORM WHATEVER, IS NOT PERMITTED WITHOUT WRITTEN AUTHORITY FROM UNITECH SYSTEMS.