

8 7 6 5 4 3 2 1

F

E

D

C

B

A

F

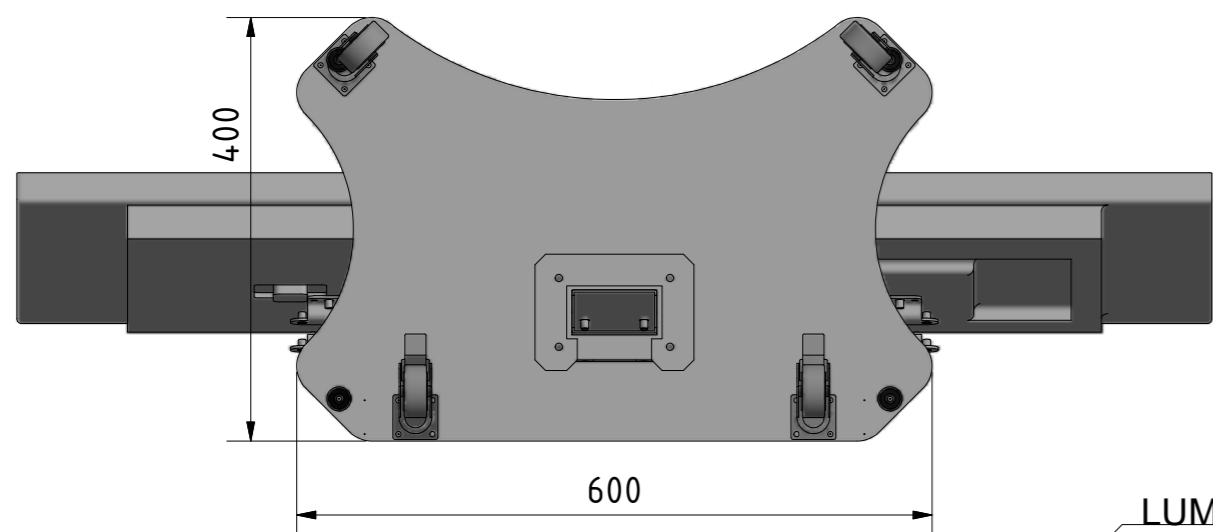
E

D

C

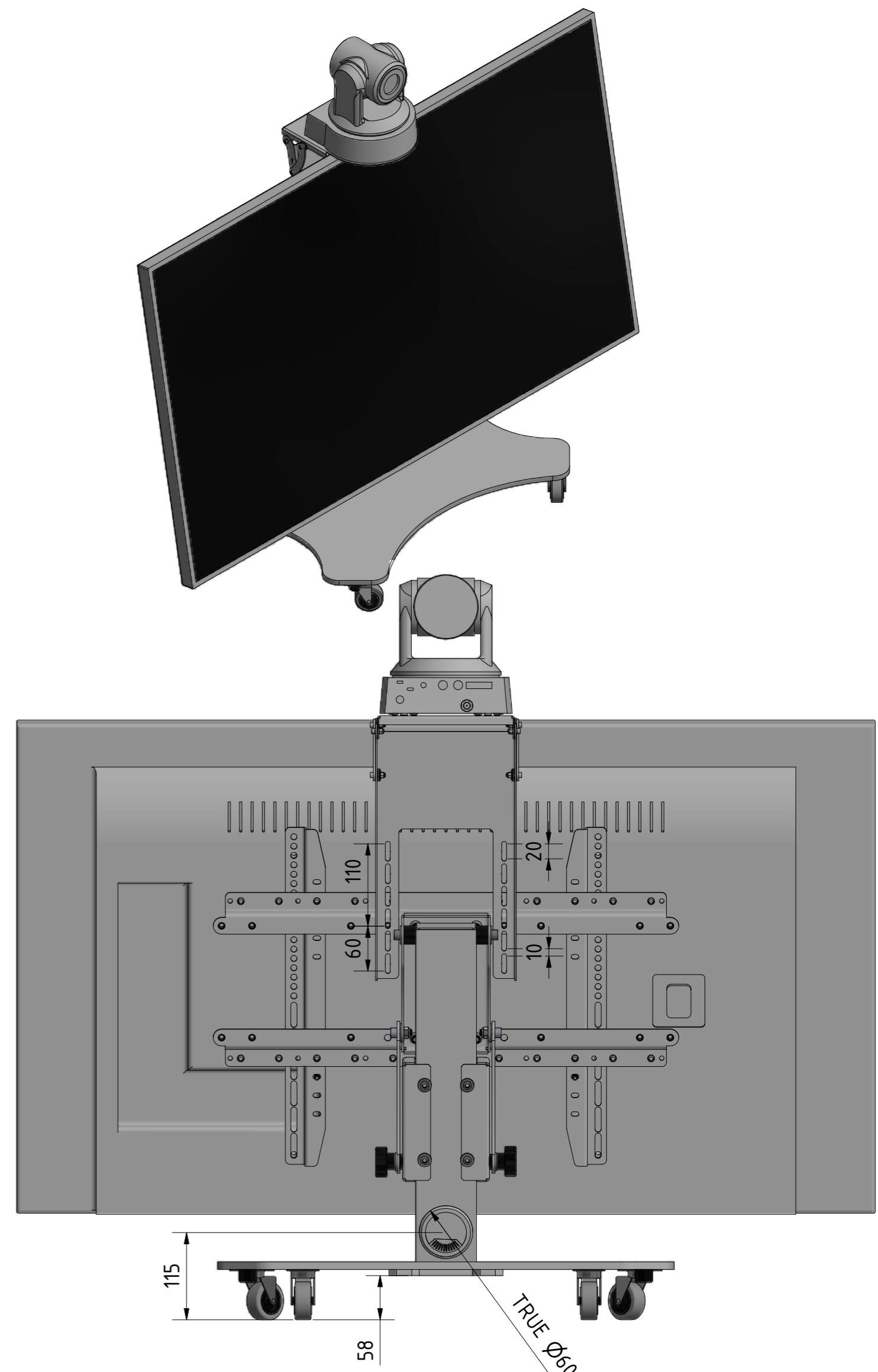
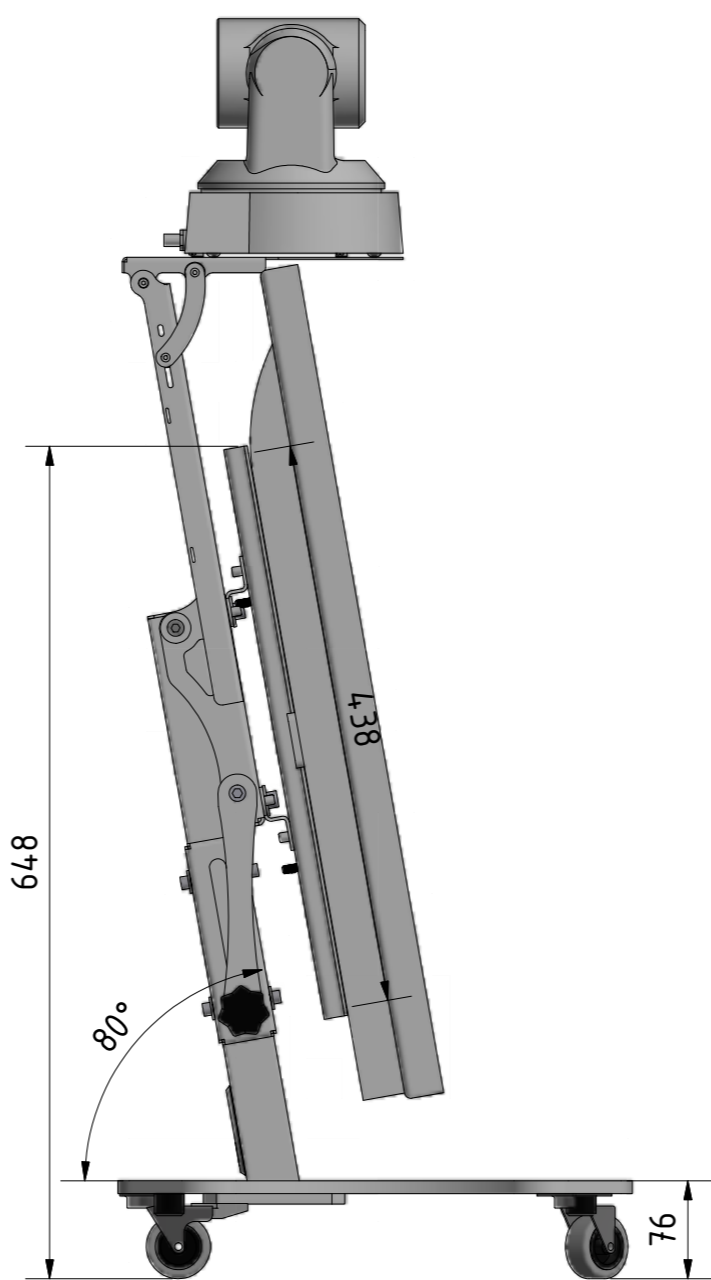
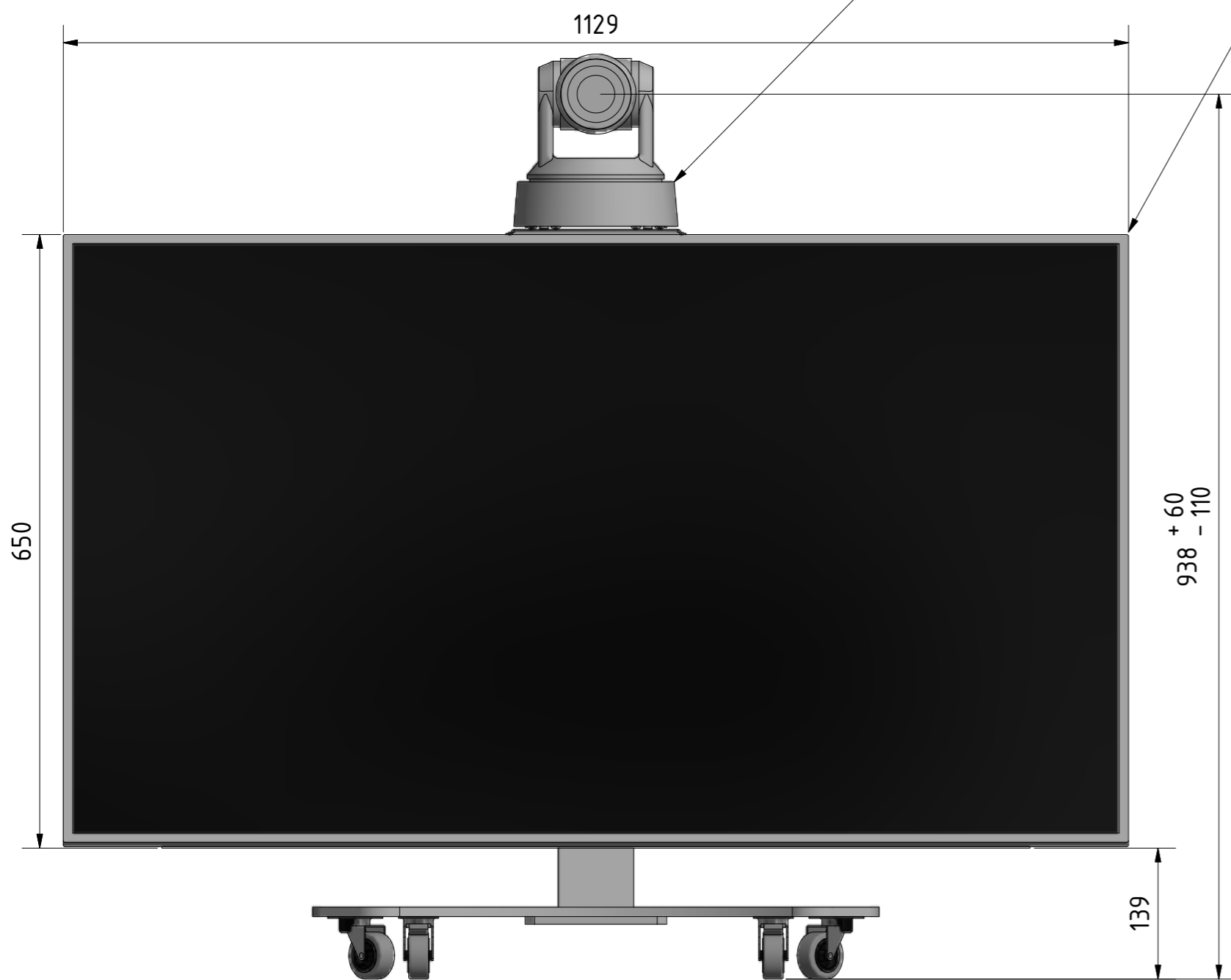
B

A



LUMENS - VC.A50P

Samsung UE50KU6000W



**Application analysis with FPFS V29D-01**

- \* Flat panel low height floor stand, suitable for flat panels up to 65"
- \* Vesa mounting compatible: 200x200mm, 400x400mm & 600x400mm
- \* Inclined column by 10degrees flat panel position in default status
- \* Additional flat panel inclination possibility by +42degrees
- \* Invisible cable routing inside column
- \* Maximum load capacity 60kg.
- \* Adjustable flat panel position by height, using the 5 steps of 25mm height adjustment provided by the vertical brackets, so that each TV size can be installed in the preferred position. Total available position height adjustment +125mm from bottom limit.
- Optional (additional item codes):**
- \* 4 rotating wheels (2 with brake, 2 w/o brake) (depicted herein)
- \* Top Camera moun CM-CUST-0019 (dedicated for Lumens DC150)

CATEGORY	FLAT PANEL FLOOR STAND	DRAWING TYPE	
MODEL	FPFS V29D-01 & CM-CUST-0019	DRAFT	FINAL
FEATURE A	FIXED COLUMN INCLINED POSITION AT 10degrees, WITH WHEELS		x
FEATURE B	ADDITIONAL INCLINATION BY +42degrees	REVERSION	DATE
DRAWING No	V1.1.02022021_VK	YES	30072019-CA



ALL RIGHTS STRICTLY RESERVED. REPRODUCTION OR ISSUE TO THIRD PARTIES IN ANY FORM WHATSOEVER, IS NOT PERMITTED WITHOUT WRITTEN AUTHORITY FROM UNITECH SYSTEMS.

8 7 6 5 4 3 2 1