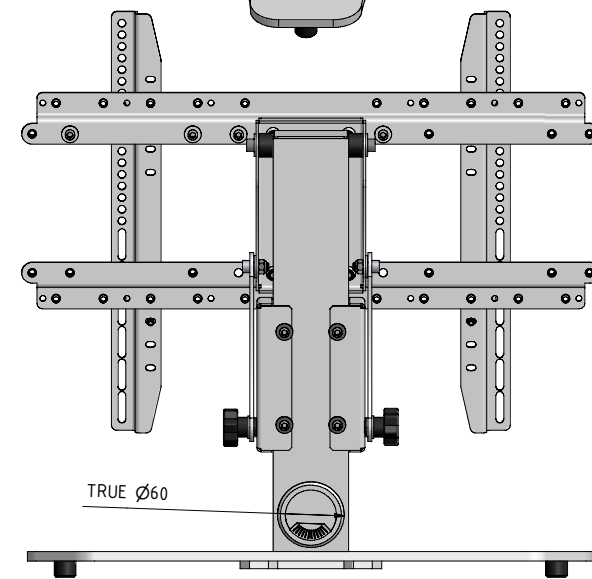
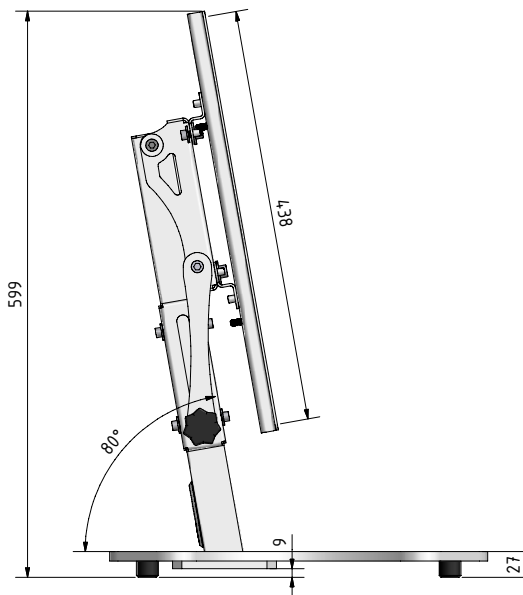
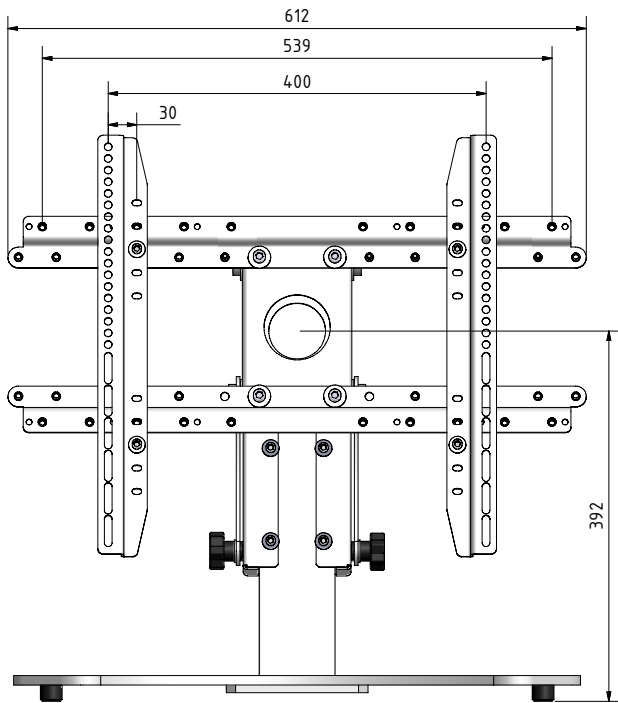
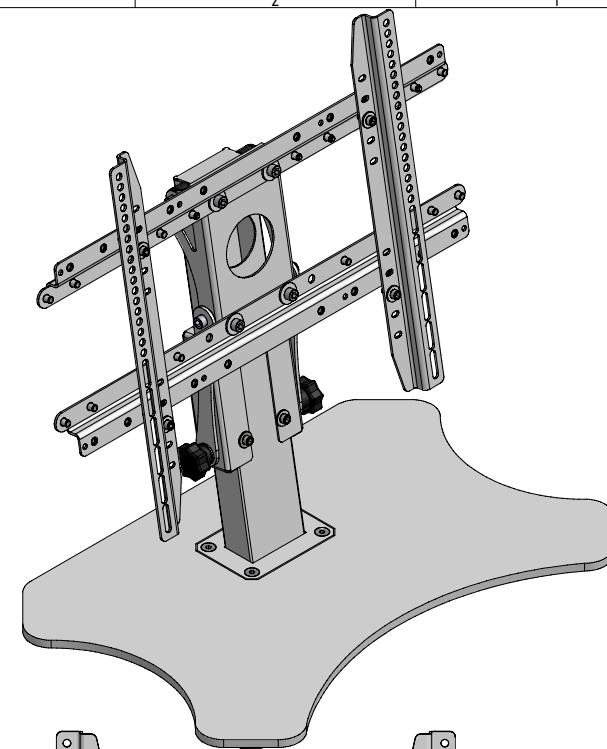


Application analysis with FPFS V29D-01

- * Flat panel low height floor stand, suitable for flat panels up to 65"
 - * Vesa mounting compatible: 200x200mm, 400x400mm & 600x400mm
 - * Inclined column by 10degrees flat panel position in default status
 - * Additional flat panel inclination possibility by +42degrees
 - * Invisible cable routing inside column
 - * Maximum load capacity 60kg.
- Adjustable flat panel position by height, using the 5 steps of 25mm height adjustment provided by the vertical brackets, so that each TV size can be installed in the preferred position. Total available position height adjustment +125mm from bottom limit.

Optional (additional item codes, not depicted herein):

- * 4 rotating wheels (2 with brake, 2 w/o brake)
- * back cover: its application prevents extra inclination ability
- * Rear side player or receiver shelf, camera shelves



CATEGORY	FLAT PANEL FLOOR STAND	DRAWING TYPE	
MODEL	FPFS V29D-01	DRAFT	FINAL
FEATURE A	FIXED COLUMN INCLINED POSITION AT 10degrees		X
FEATURE B	ADDITIONAL INCLINATION BY +42degrees	REVERSION	DATE
DRAWING No	V1.1.18072019-SA	YES	30072019-CA

