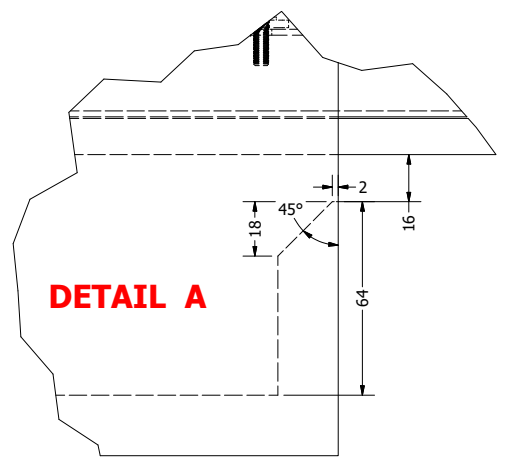
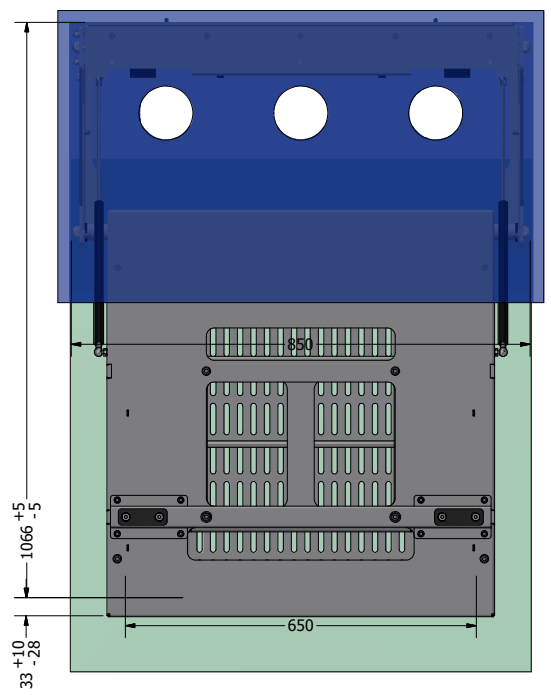


THREAD ROD REPLACEABLE FOR PROJECTORS WITH HEIGHT >255mm

If projector height (249mm) is increased, then height of wall hole (1020mm) must be increased, as well as movable wall cover (950mm) and room below lift (53mm).



DETAIL A

CATEGORY	PROJECTOR WALL LIFT	DRAWING TYPE	
MODEL	PLWW-V2-HD	DRAFT	FINAL
FEATURES	SUITABLE FOR MAXIMUM PROJECTOR DIMENSIONS INSIDE CARRIAGE WALL H 650x690x255mm & MAXIMUM LOAD CAPACITY (projector+wall cover) ≤ 45kg.		
	FOR PROJECTORS WITH LENGTH >690mm THE PROJECTOR WILL EXCEED LIFT'S CARRIAGE AT TOP SIDE, INCREASING WALL HOLE DIMENSIONS.		
	PROJECTOR MAXIMUM HEIGHT CAN BE INCREASED, USING THREAD RODS OF ACCORDINGLY INCREASED LENGTH.		
COLOUR	BLACK RAL9005 MATT BUFF	REVISION	DATE
DRAWING No	15022021-CA	APPROVED BY:	YES

