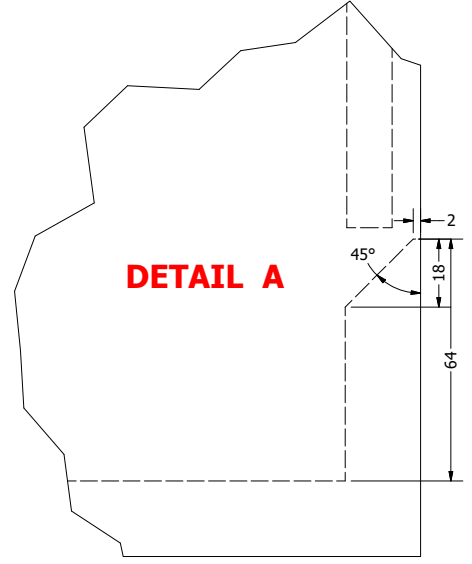
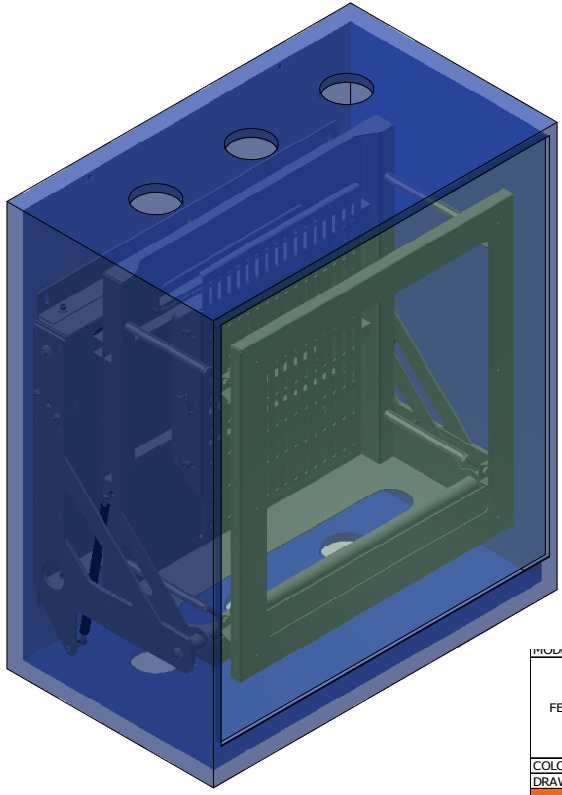
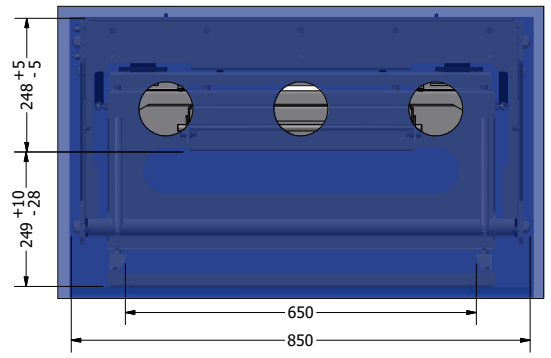


THREAD ROD REPLACEABLE FOR PROJECTORS WITH HEIGHT >255mm



PROJECTORY	PROJECTOR WALL LIFT		DRAWING TYPE	
	MODEL	PLWW-V2-HD	DRAFT	FINAL
FEATURES	SUITABLE FOR MAXIMUM PROJECTOR DIMENSIONS INSIDE CARRIAGE WALL H 650x690x255mm & MAXIMUM LOAD CAPACITY (projector+wall cover) ≤ 45kg.			
	FOR PROJECTORS WITH LENGTH > 690mm THE PROJECTOR WILL EXCEED LIFT'S CARRIAGE AT TOP SIDE, INCREASING WALL HOLE DIMENSIONS.			
	PROJECTOR MAXIMUM HEIGHT CAN BE INCREASED, USING THREAD RODS OF ACCORDINGLY INCREASED LENGTH.			
COLOUR	BLACK RAL9005 MATT BUFF		REVISION	DATE
DRAWING No	15022021-CA	APPROVED BY:	YES	

