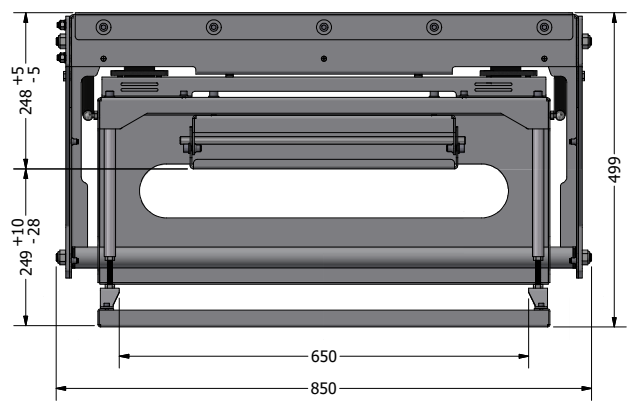
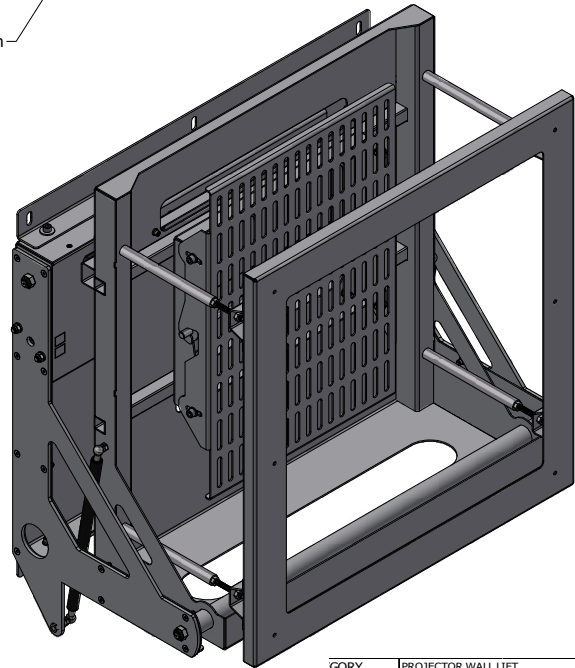


THREAD ROD REPLACEABLE FOR PROJECTORS WITH HEIGHT >255mm



GROUP	PROJECTOR WALL LIFT	DRAWING TYPE	
MODEL	PLWW-V2-HD	DRAFT	FINAL
FEATURES	SUITABLE FOR MAXIMUM PROJECTOR DIMENSIONS INSIDE CARRIAGE WALL H 650x690x255mm & MAXIMUM LOAD CAPACITY (projector+wall cover) ≤ 45kg.		
	FOR PROJECTORS WITH LENGTH >690mm THE PROJECTOR WILL EXCEED LIFT'S CARRIAGE AT TOP SIDE, INCREASING WALL HOLE DIMENSIONS.		x
	PROJECTOR MAXIMUM HEIGHT CAN BE INCREASED, USING THREAD RODS OF ACCORDINGLY INCREASED LENGTH.		
COLOUR	BLACK RAL9005 MATT BUFF	REVISION	DATE
DRAWING No	15022021-CA	APPROVED BY:	YES

