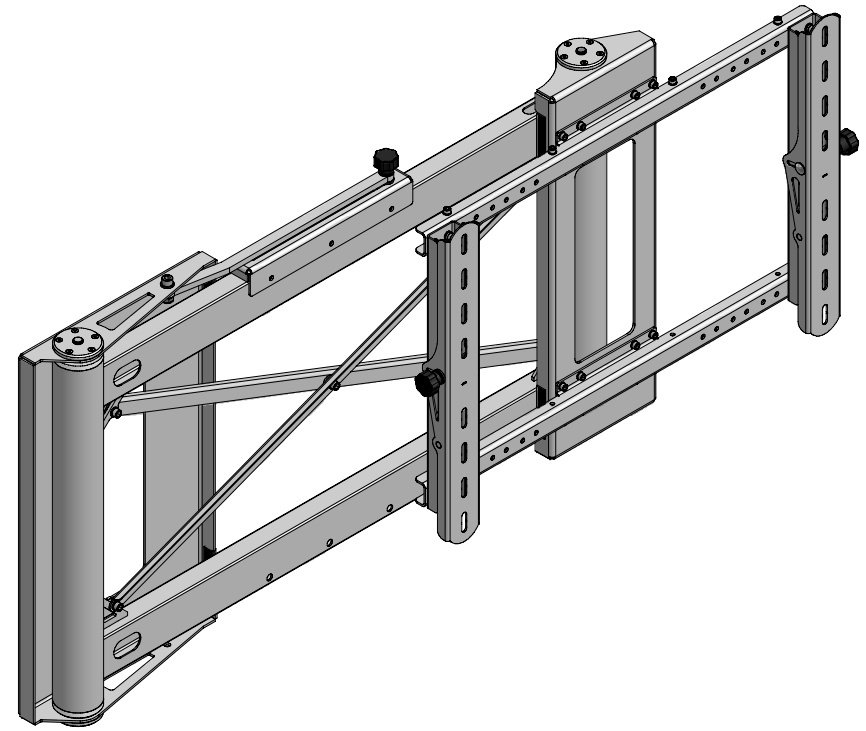
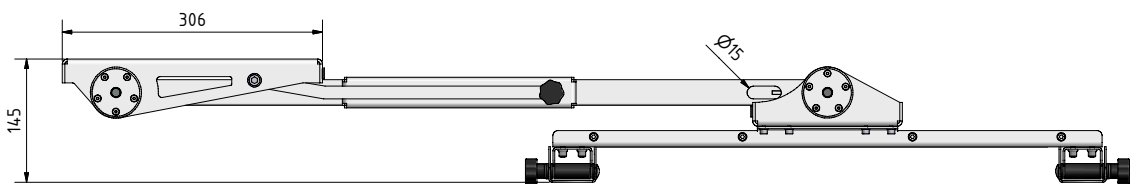
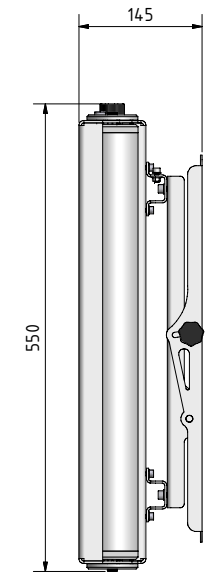
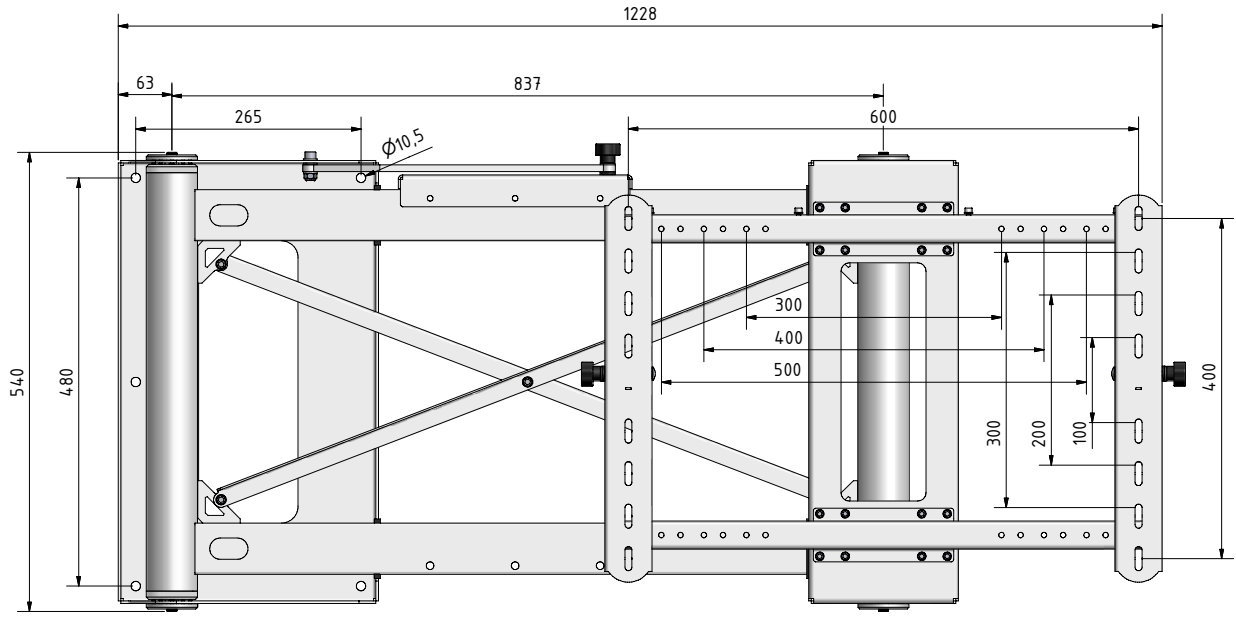



FPWMR_UHD_V2L (V2B)



CATEGORY	FLAT PANEL WALL MOUNT	DRAWING TYPE		
MODEL	FPWMR-UHD V2B	DRAFT	FINAL	
FEATURE	ONE WAY SWIVEL UP TO 90degrees, MAXIMUM LOAD CAPACITY 70kg, FIX FEATURE OF OPEN POSITION		x	
CLOUR	POWDER COATING RAL9005 (BLACK BUFF)	REVERSION	DATE	
DRAWING No	V1.1.01052018-SK	NO		

ALL RIGHTS STRICTLY RESERVED. REPRODUCTION OR ISSUE TO THIRD PARTIES IN ANY FORM WHATEVER, IS NOT PERMITTED WITHOUT WRITTEN AUTHORITY FROM UNITECH SYSTEMS.